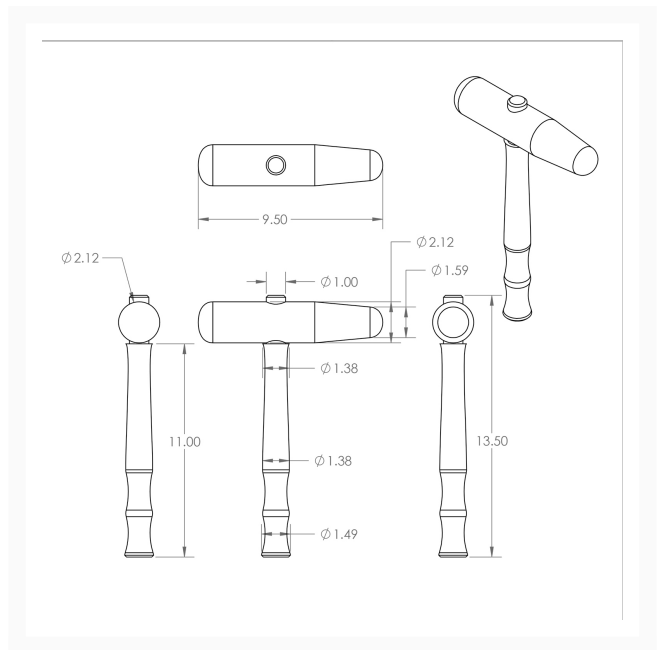




Medium Shrink Stretch Mallet (BH-0M-004)

Product Images



Short Description

Additional Information

Stock Number	BA9-1224987
Accessories	Included Accessories
Face Diameter (In.)	2.12" & 1.59"
Handle Length (In.)	11"
Head Length (In.)	9.5"
Material Type	Laminated Wood Veneer
Model Number	BH-0M-004
Prop 65	Cancer and Reproductive Harm
Warranty	1 Year
Gross Weight	2.0

